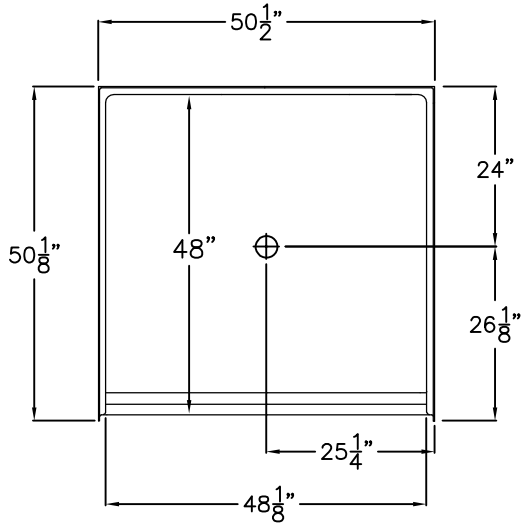
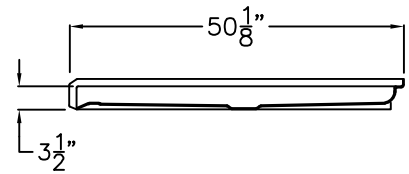


Comfort Series SUBMITTAL DATA

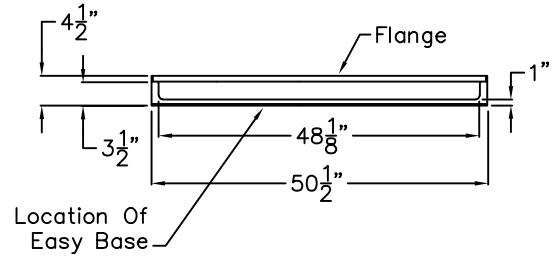
TOP VIEW



SIDE VIEW



FRONT VIEW



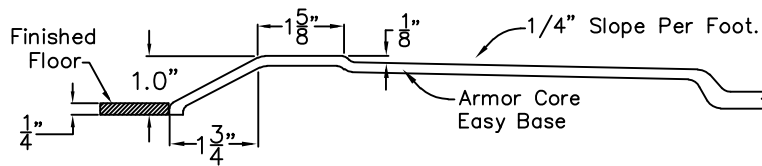
Shower Pan

This shower pan shall be Model MPB 5050 BF 1.0 center drain. Finished surface shall be of sanitary-grade applied acrylic. The unit shall have outside dimensions of 50 1/2" x 50 1/8" x 4 1/2". The unit shall meet IAPMO Z124-2011, and CSA B45.5-11.

The enclosure shall be equipped with the following factory installed accessories:

- 1) Center drain location,
- 2) Factory installed Armor Core Easy Base,
- 3) 1.0" change of level threshold.

Detail of 1.0" Threshold



DUE TO THE NATURE OF THE MATERIALS INVOLVED
UNIT DIMENSIONS MAY VARY ± 1/2 INCH

Job Name:	PRAXIS
Approved by Print Name:	Drawing#: MPB 5050 BF 1.0 PAN
Approved by Signature:	Date: 3-31-09 Revised: 4-4-17
Rep.:	Wholesaler: Quote No.

PRAXIS INDUSTRIES, INC.
ROUTE 1, BOX 46D - SAVANNAH, TN 38372
1 (800) 443-7269 - FAX (901) 925-4290