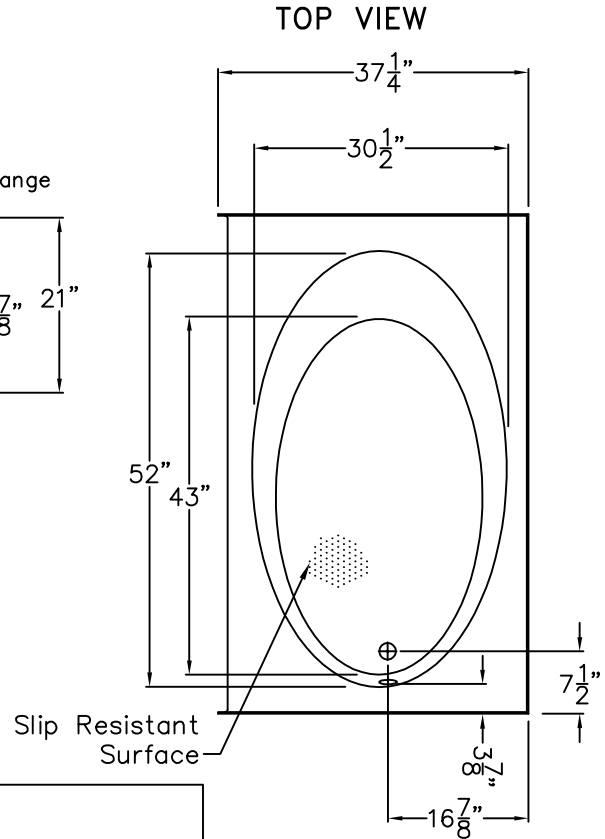
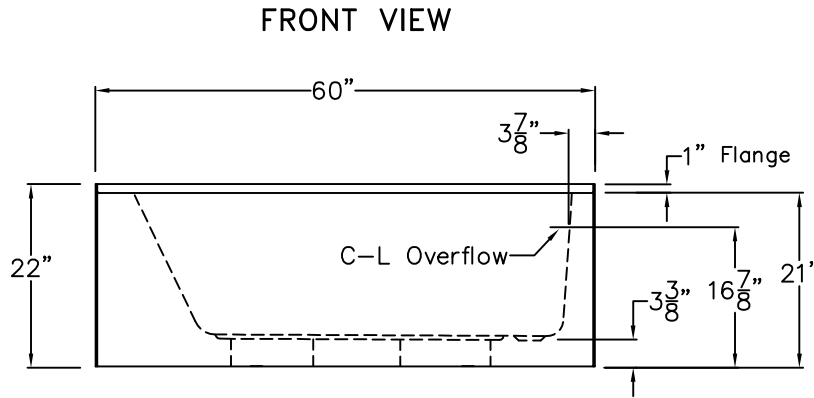


# Luxury Acrylic Series

## SUBMITTAL DATA



### Garden Style Bathtub

This garden style tub shall be Hamilton Model G GT36 TO right or left. Finished surface shall be of sanitary-grade applied acrylic. The unit shall have outside dimensions of 60" x 37 1/4" x 22". The unit shall meet IAPMO Z124-2011, and CSA B45.5-11.

The enclosure shall be equipped with the following factory installed accessories:

- 1) Oval shaped well,
- 2) Integral apron skirt,
- 3) Mounting flange,
- 4) Left or right hand drain.
- 5) Water Capacity: 55 US Gallons

MEETS ASTM-F462 SLIP RESISTANT REQUIREMENTS

DUE TO THE NATURE OF THE MATERIALS  
DIMENSIONS MAY VARY ± 1/2"

<b>Job Name:</b>	<b>HAMILTON</b>
<b>Approved By Print Name:</b>	<b>Drawing#:</b> G GT36 TO
<b>Approved By Signature:</b>	<b>Date:</b> 1-26-01 <b>Revised:</b> 12-1-16
<b>Rep.:</b>	<b>Quote No.:</b>

PRAXIS INDUSTRIES, LLC.  
435 INDUSTRIAL RD - SAVANNAH, TN 38372  
1 (800) 443-7269 - FAX (731) 925-4290