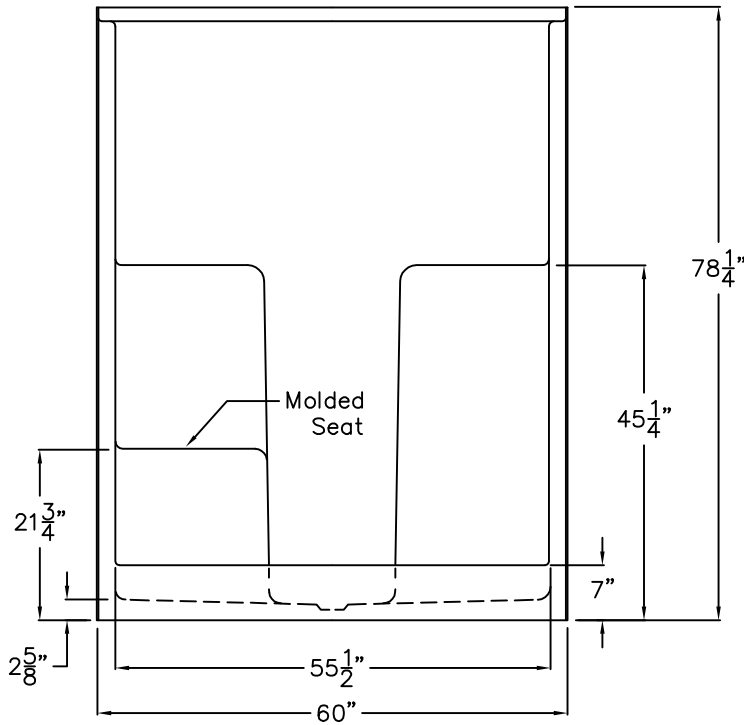


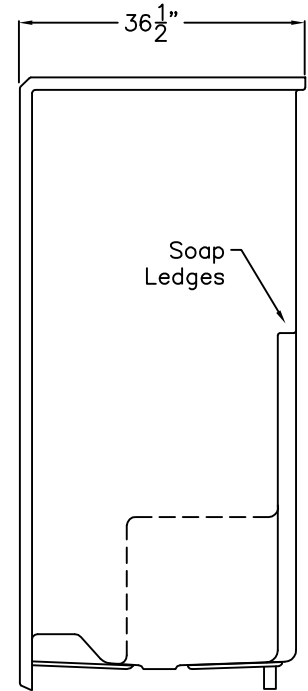
# Luxury Acrylic Series

## SUBMITTAL DATA

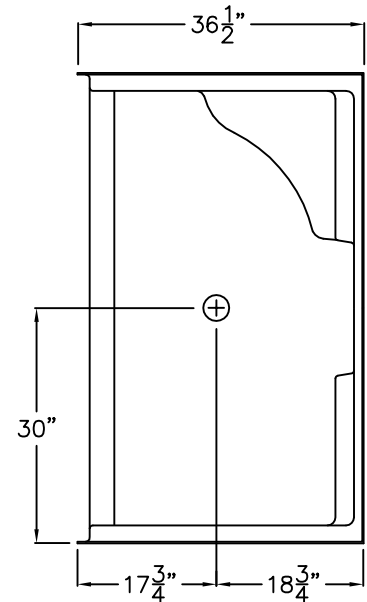
FRONT VIEW



VALVE SIDE VIEW



TOP VIEW



DUE TO THE NATURE OF THE MATERIALS  
DIMENSIONS MAY VARY ± 1/2"

### Smooth Wall Shower

This shower enclosure shall be Hamilton Model G 6077 SH 1S right or left. Finished surface shall be of sanitary-grade applied acrylic. The unit shall have outside dimensions of 60" x 36 1/2" x 78 1/4". The unit shall meet IAPMO Z124-2011, and CSA B45.5-11.

The enclosure shall be equipped with the following factory installed accessories:

- 1) Molded corner soap ledges,
- 2) Molded seat,
- 3) 7" threshold.

Job Name:	<b>HAMILTON</b>	
Approved by Print Name:	Drawing#: G 6077 SH 1S	
Approved by Signature:	Date:	Date: 6-7-07 Revised: 12-1-16
Rep.:	Wholesaler:	Quote No.:

PRAXIS INDUSTRIES, LLC.  
435 INDUSTRIAL ROAD, SAVANNAH, TN 38372  
1 (800) 326-5489 - FAX (888) 246-0466