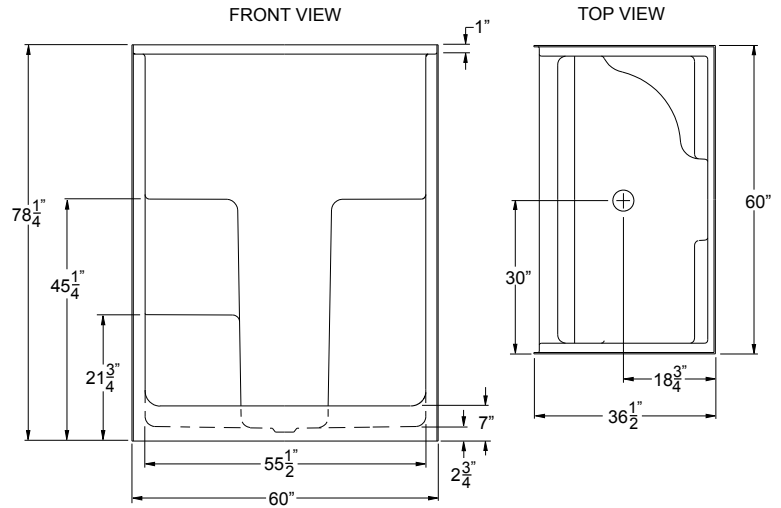




G 6077 SH 1S
60" x 36.5" x 78.25"
Enclosure: up to 55" x 70"



FEATURES

FINISH	PRODUCT	PIECES	WALL	SEAT
AcryIX™ Applied Acrylic	Shower	One	Smooth	One

OPTIONS

WHIRLPOOL	AcryIX™ COLORS	SOLID SURFACE COLORS	ACCESSORIES
No	White, Bone, Biscuit	Solids or Naturals	Drain

TECHNICAL INFORMATION

WT	LOAD FACTOR	HANDED BY	CODES	WARRANTY
150	1.26	Seat L R	ANSI 124.2, UPC	AcryIX™ - Lifetime Limited Solid Surface - 10 Year Limited

AVAILABILITY

NORTHEAST	MID / SOUTH
Standard	Standard

