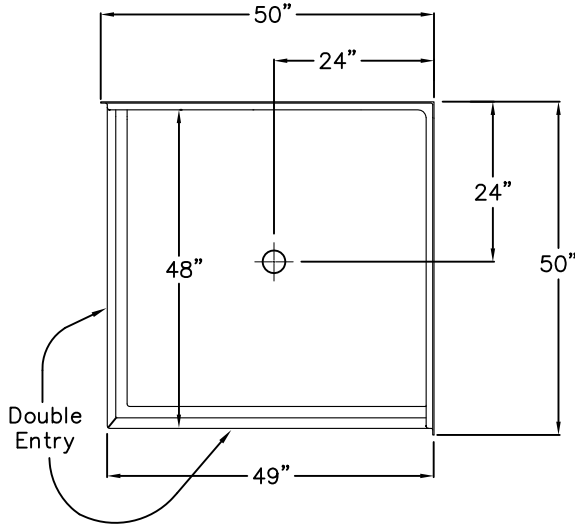


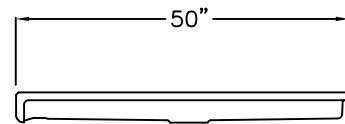
# Comfort Series

## SUBMITTAL DATA

TOP VIEW



SIDE VIEW



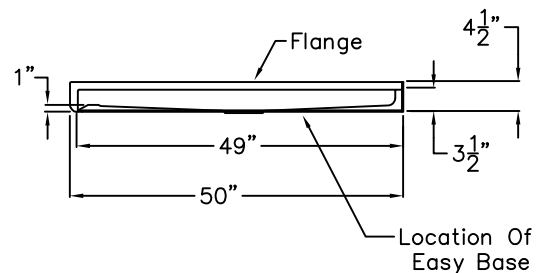
### Barrier Free Shower Pan

The shower pan shall be MPB 4848 BF DE PAN 1.0, center drain. Finished surface shall be of a sanitary-grade polyester Gelcoat exhibiting a minimal thickness of 15 dry mils, and a finished cured Barcol hardness of 80-90 as tested with ASTM D-2583. Unit construction shall be of molded reinforced fiberglass with a minimum fiberglass content. The unit shall have outside dimensions of 50" x 50" x 4 1/2". The one piece pan shall meet ANSI Z124.2, Home Innovation Research Lab, UPC, and shall meet the requirements of Southern Building Code.

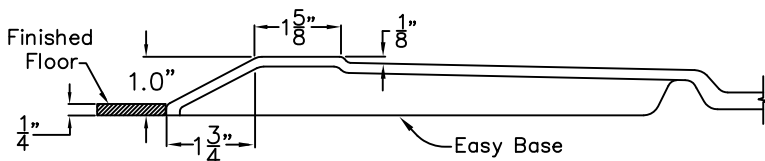
The enclosure shall be equipped with the following installed accessories:

- 1) Low double entry 1.0" threshold,
- 2) Factory installed Easy Base self sustaining bottom.

FRONT VIEW



### Detail of 1.0" Threshold



DUE TO THE NATURE OF THE MATERIALS  
UNIT DIMENSIONS MAY VARY ± 1/2 INCH

Job Name:	AQUARIUS	
Approved By Print Name:	Drawing#: MPB 4848 BF DE 1.0 PAN	
Approved By Signature:	Date Approved:	Date: 5-29-14      Revised: 6-24-14
Rep.:	Wholesaler:	Quote No.

PRAXIS INDUSTRIES, INC.  
ROUTE 1, BOX 46D - SAVANNAH, TN 38372  
1 (800) 443-7269 - FAX (901) 925-4290